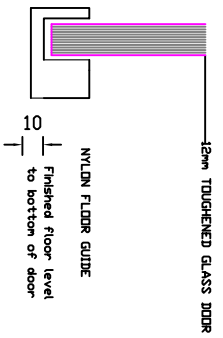
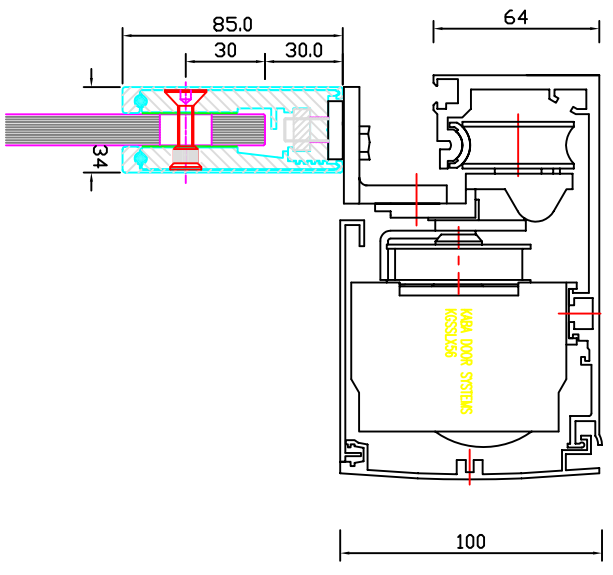
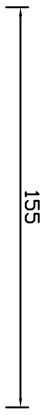
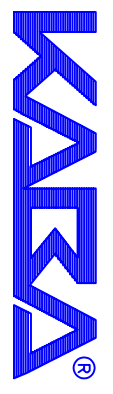


GLASS PREPARATION

Specify Glass Thickness: 10mm – 12mm – 15mm



10mm  
Finished floor level  
to bottom of door



DOORWAYS PTY LTD ABN: 14 070 054 287  
 10 SILICON PLACE  
 TULLAMARINE, VICTORIA 3043  
 TEL: + 61 3 9338 9898  
 FAX: + 61 3 9338 9191

MODEL:	SIX Sliding Frameless Glass	PROJECT:		Drawn: GW
				Date: 1 Jan-05
				Scale: 1:20
				Dwg no: KSLX03